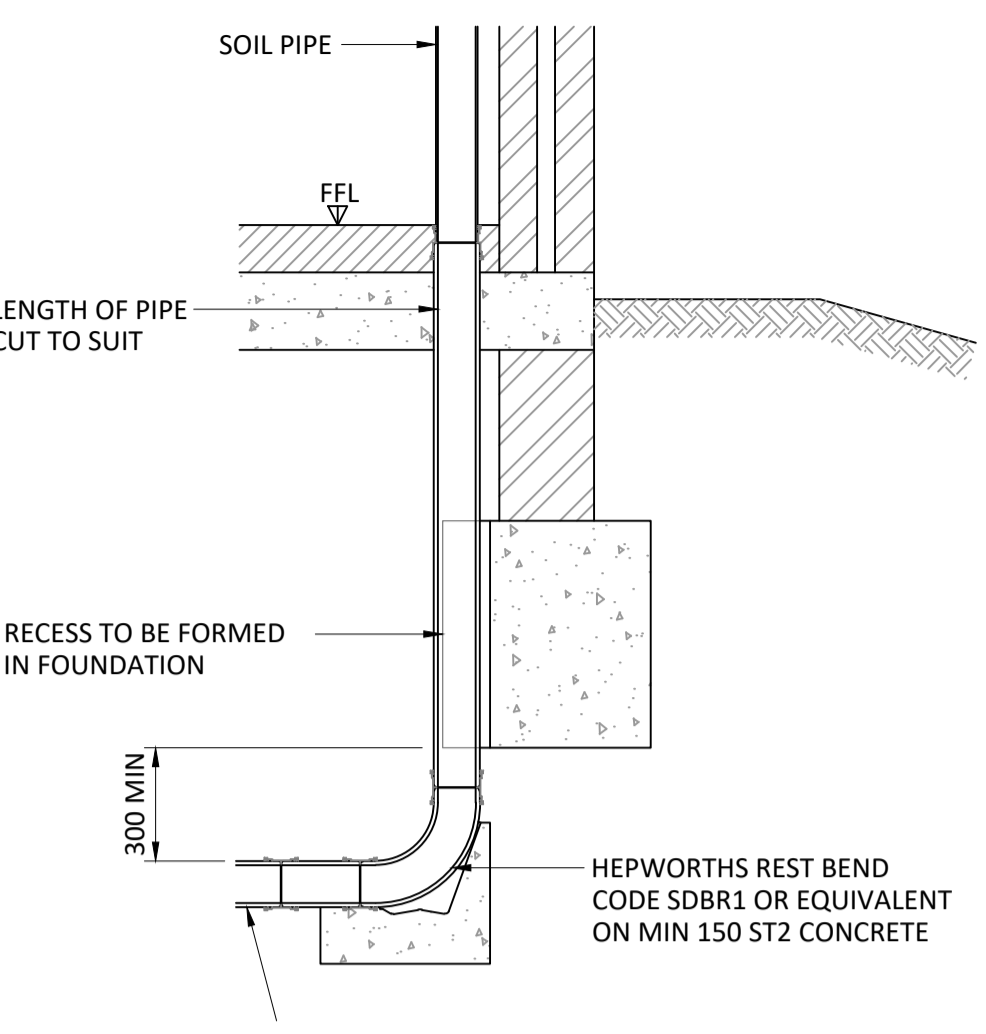
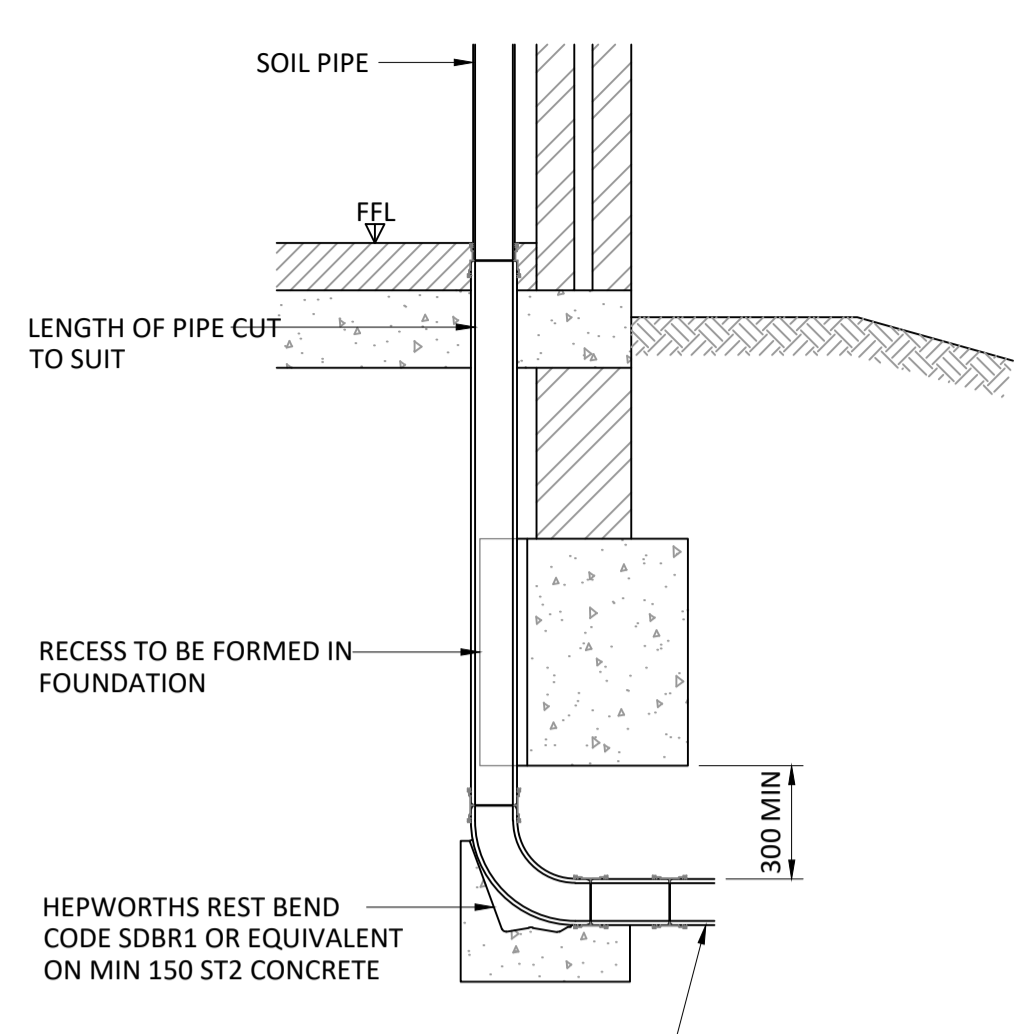


NOTE

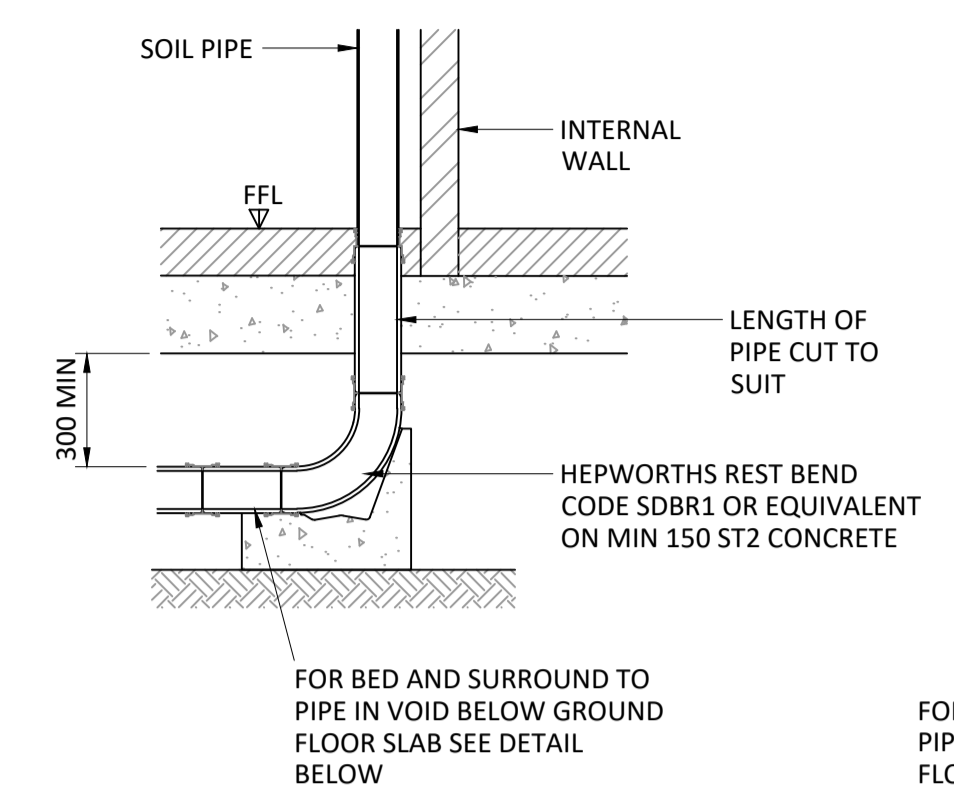
- DO NOT SCALE FROM THIS DRAWING. WORK FROM FIGURED DIMENSIONS ONLY. ALL DIMENSIONS ARE IN METRES AND ALL LEVELS ARE IN METRES ABOVE ORDNANCE DATUM U.N.O.
- NO DEVIATION FROM THE DETAILS SHOWN ON THIS DRAWING WILL BE ALLOWED WITHOUT THE PRIOR PERMISSION IN WRITING.
- THIS DRAWING IS TO BE READ IN CONJUNCTION WITH ALL RELEVANT ARCHITECTS, ENGINEERS AND SPECIALIST DRAWINGS AND SPECIFICATIONS.
- ALL DRAINAGE WORKS ARE TO BE CARRIED OUT IN ACCORDANCE WITH SEWERS FOR ADOPTION 7TH EDITION, THE BUILDING REGULATIONS AND GWYNEDD COUNTY COUNCIL'S STANDARD REQUIREMENTS.
- FOR DRAINAGE SCHEDULES AND SPECIFICATION REFER TO DRAWING NUMBER 3768-CAU-XX-XX-DR-C-7600.



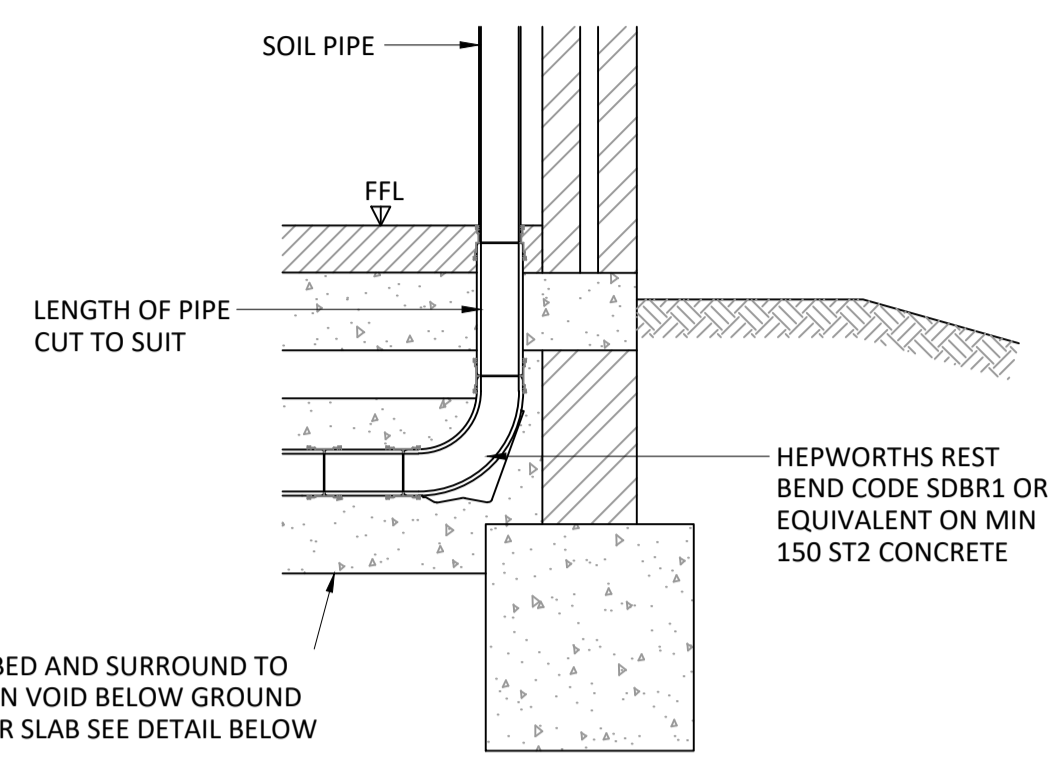
DETAIL 'A'
1:20



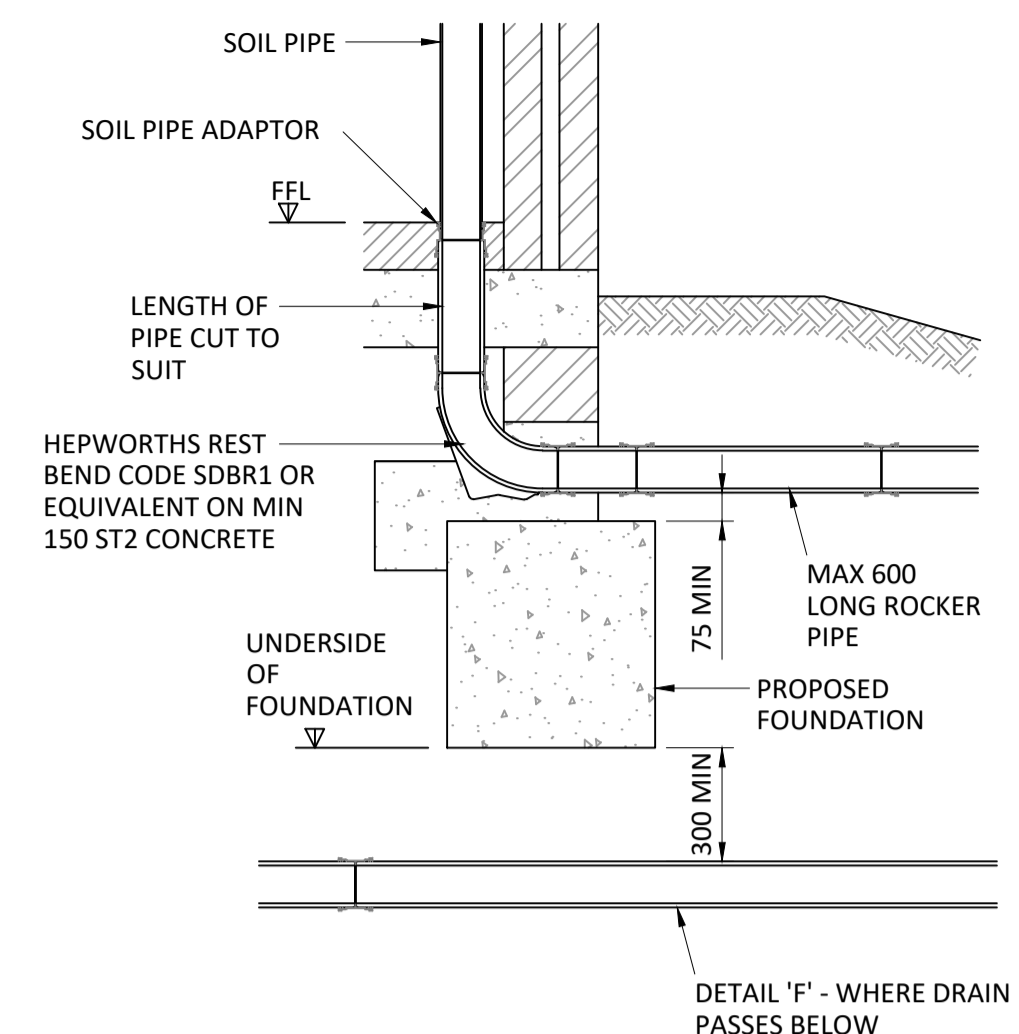
DETAIL 'B'
1:20



DETAIL 'C'
1:20



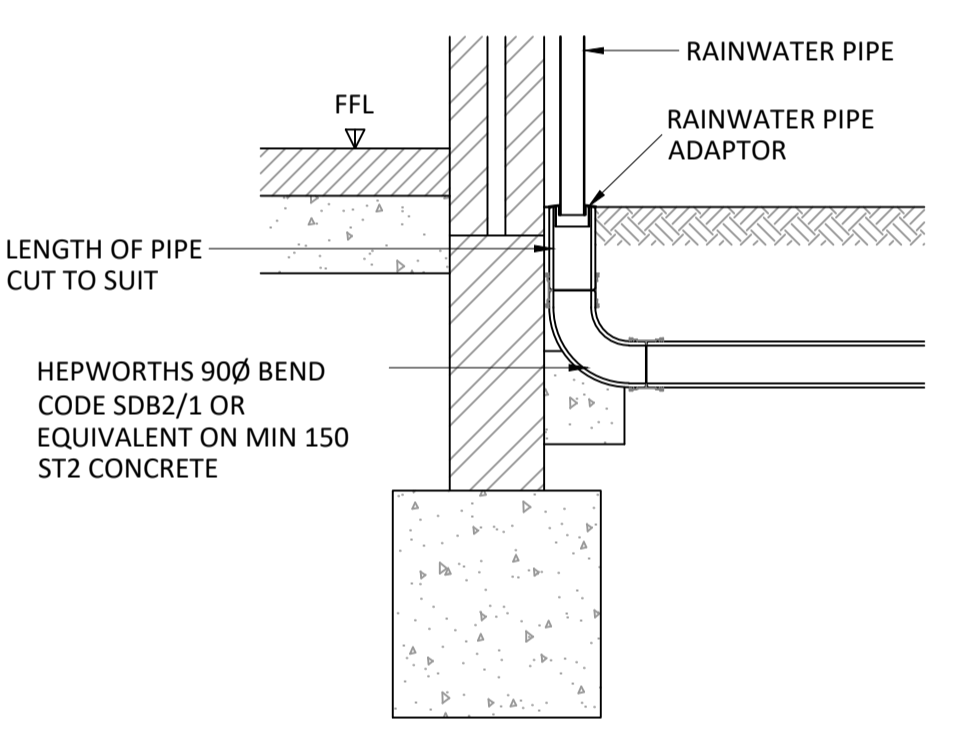
DETAIL 'D'
1:20



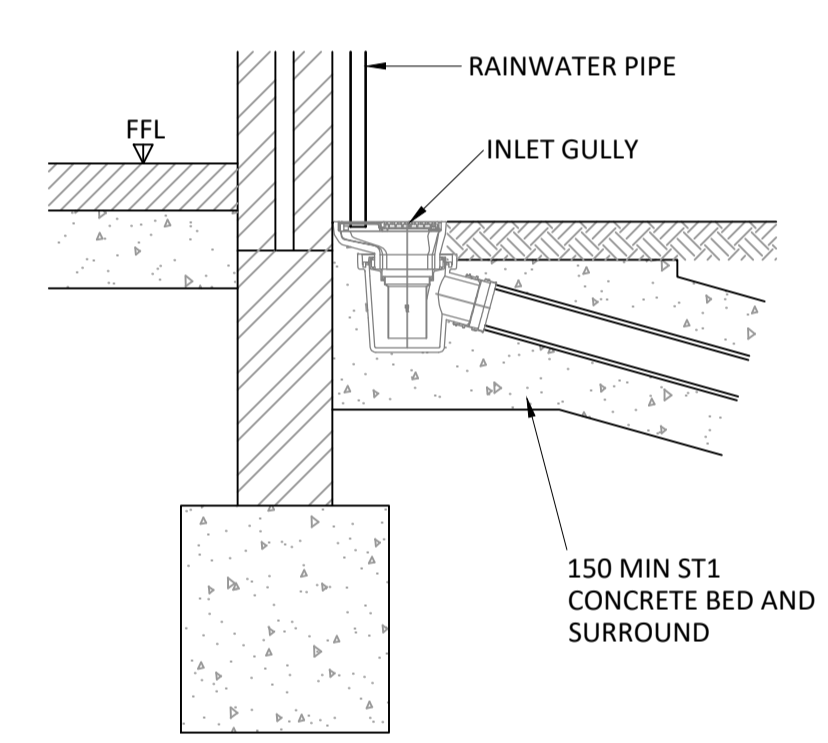
DETAIL 'E'
1:20

DETAIL OF INTERNAL FOUL DRAIN AT GROUND BEAM

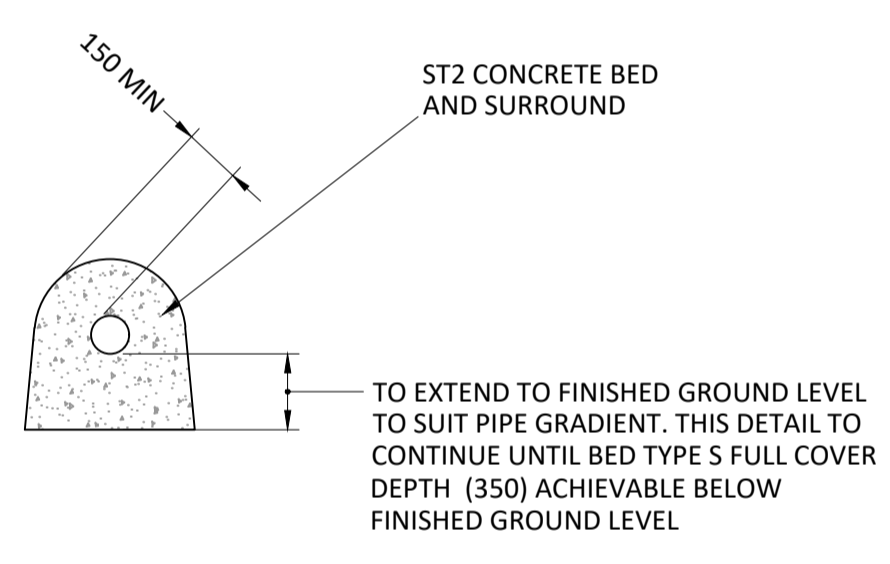
1:20



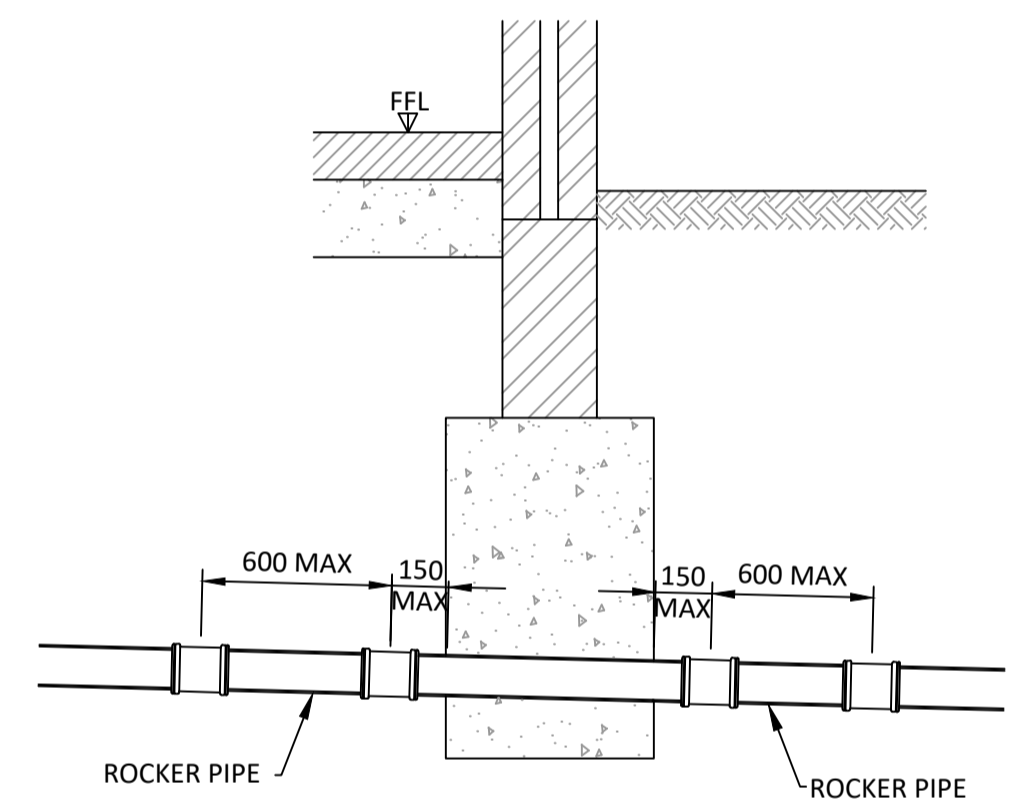
EXTERNAL RAINWATER PIPE DETAIL
1:20



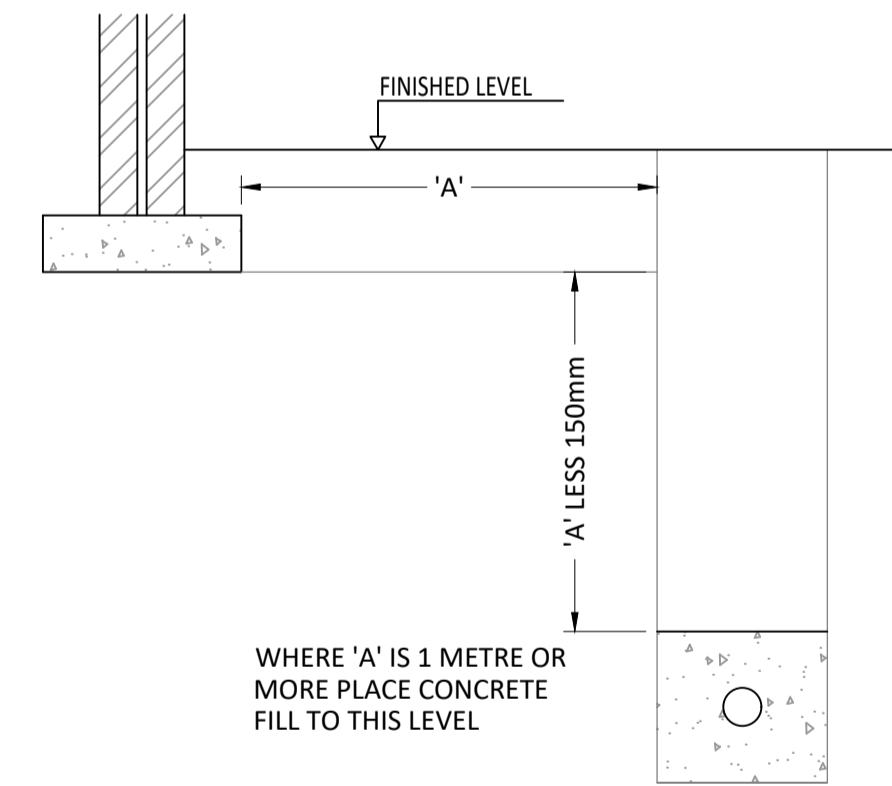
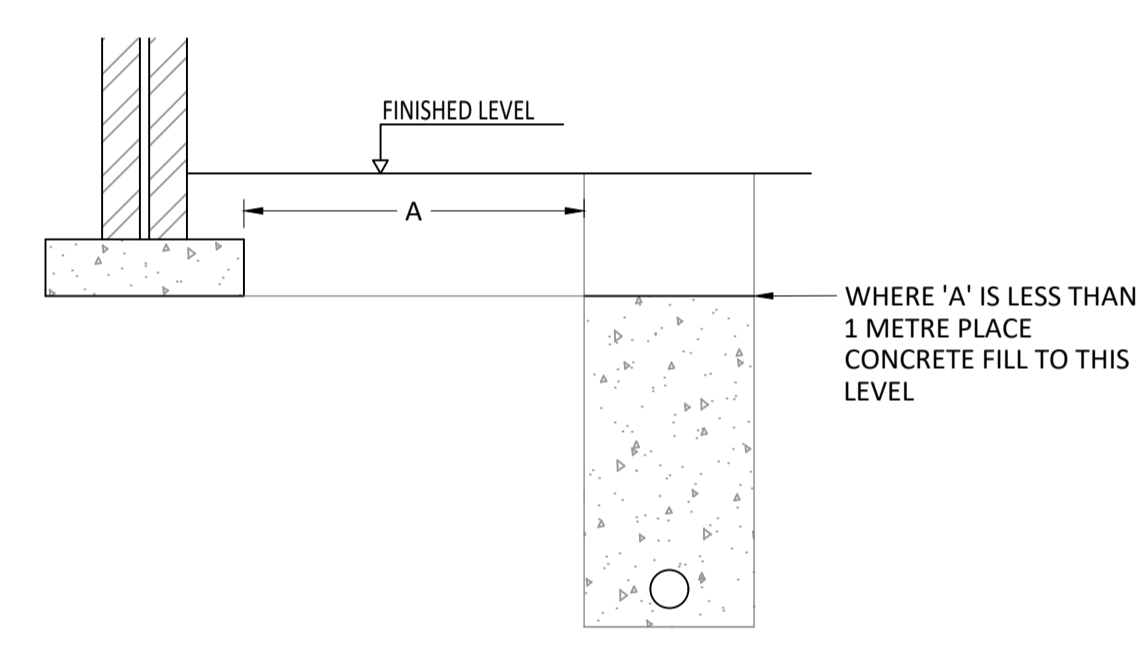
GULLY AT EXTERNAL RAINWATER PIPE DETAIL
1:20



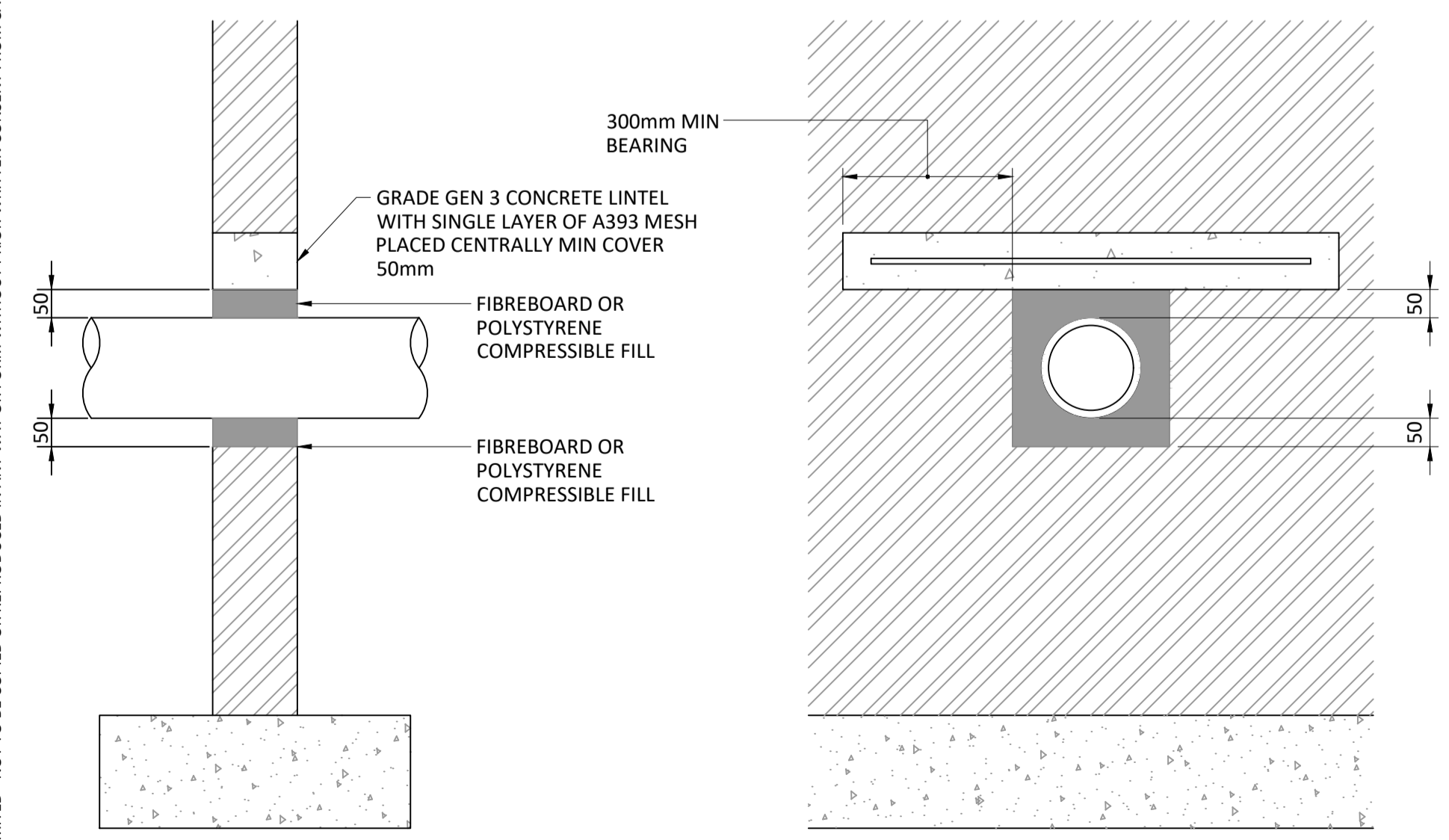
BED AND SURROUND TO PIPE IN VOID BELOW GROUND FLOOR SLAB
1:20



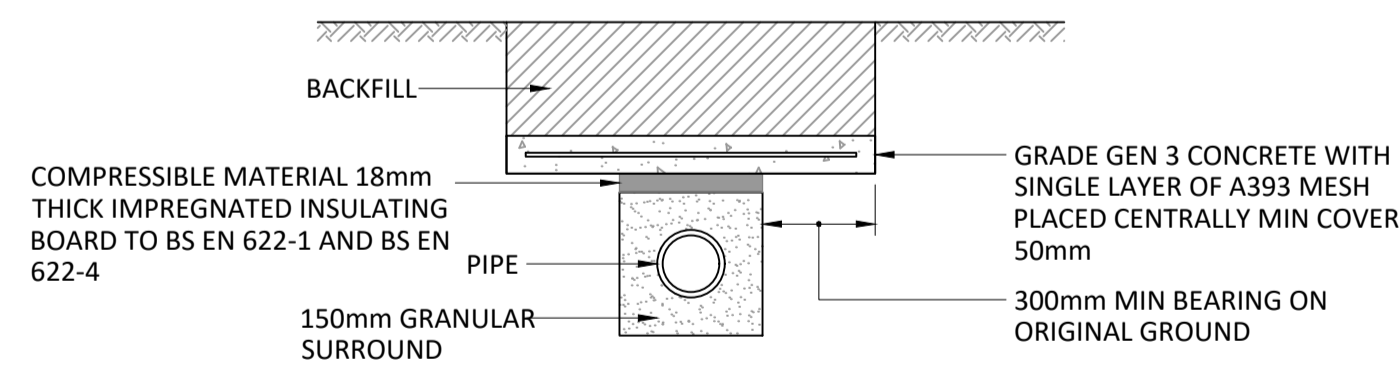
TYPICAL DETAIL WHERE INTERNAL DRAIN PASSES THROUGH FOUNDATION
1:20





PIPE RUNS ADJACENT TO BUILDINGS
1:20



PROTECTION OF PIPE PENETRATING SINGLE LEAF BOUNDARY WALL
1:20



PROTECTION TO PIPES LAID AT SHALLOW DEPTHS
1:20

P01	SAB PRE-APP SUBMISSION	EB	NWO	-	01/03/24
REV	MODIFICATIONS	BY	RE	AP	DATE
PURPOSE OF ISSUE					STATUS
DRAFT					SO
CLIENT:					
 CYMROR GWYNEDD COUNCIL					
PROJECT:					
FORMER YSGOL BABANOD COED MAWR BRON Y DE BANGOR					
TITLE:					
DRAINAGE CONSTRUCTION DETAILS SHEET 2					
DRAWN BY	REVIEWED BY	AUTHORISED BY	SCALE @ A1		
EB	NWO		AS SHOWN		
DATE	JOB REF:	REVISION			
27/02/2024	5318	P01			
DRAWING NUMBER					
5318-CAU-XX-XX-DR-C-5601					
 engineering environmental planning					

© COPYRIGHT CAULMERT LIMITED - NOT TO BE COPIED OR REPRODUCED IN ANY WAY OR FORM WITHOUT PRIOR WRITTEN CONSENT FROM CAULMERT LIMITED

Registered Office: Intec, Parc Menai, Bangor, Gwynedd, LL57 4FG Company Registered No: 06716319