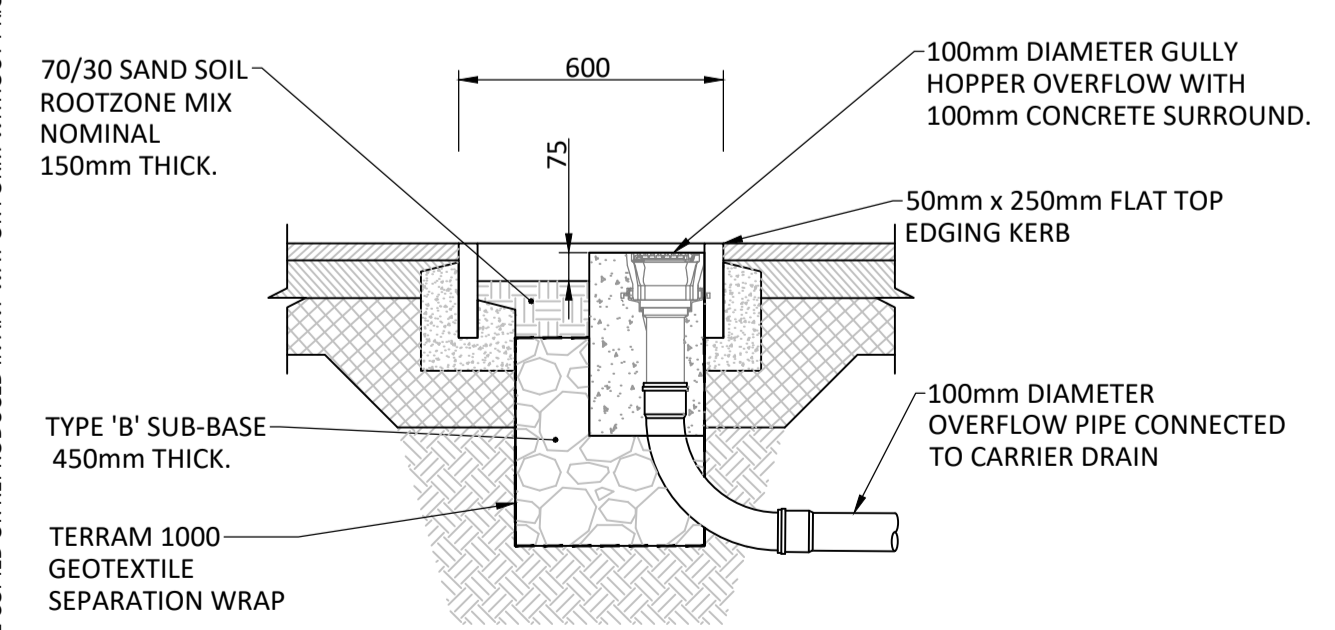
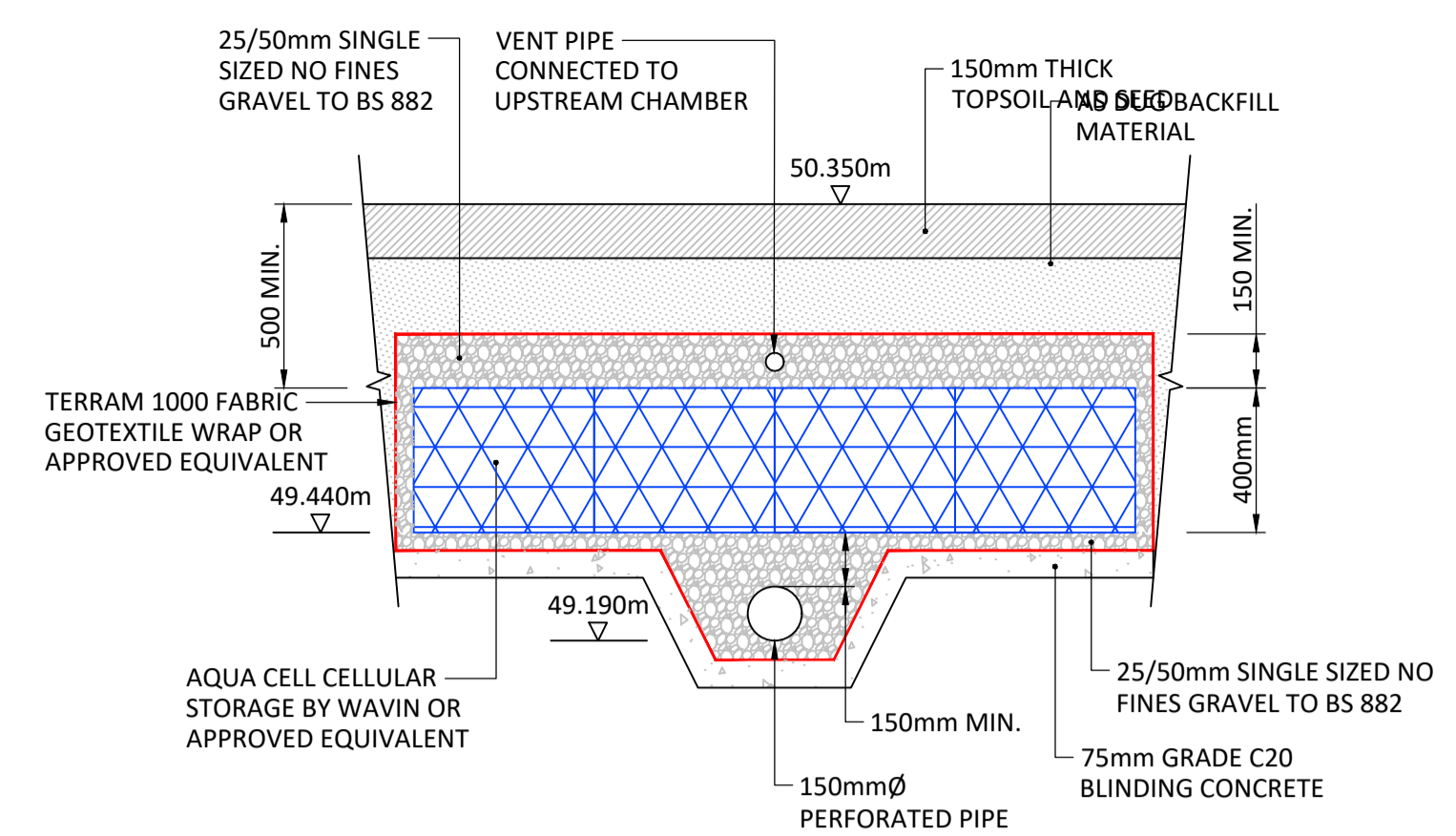


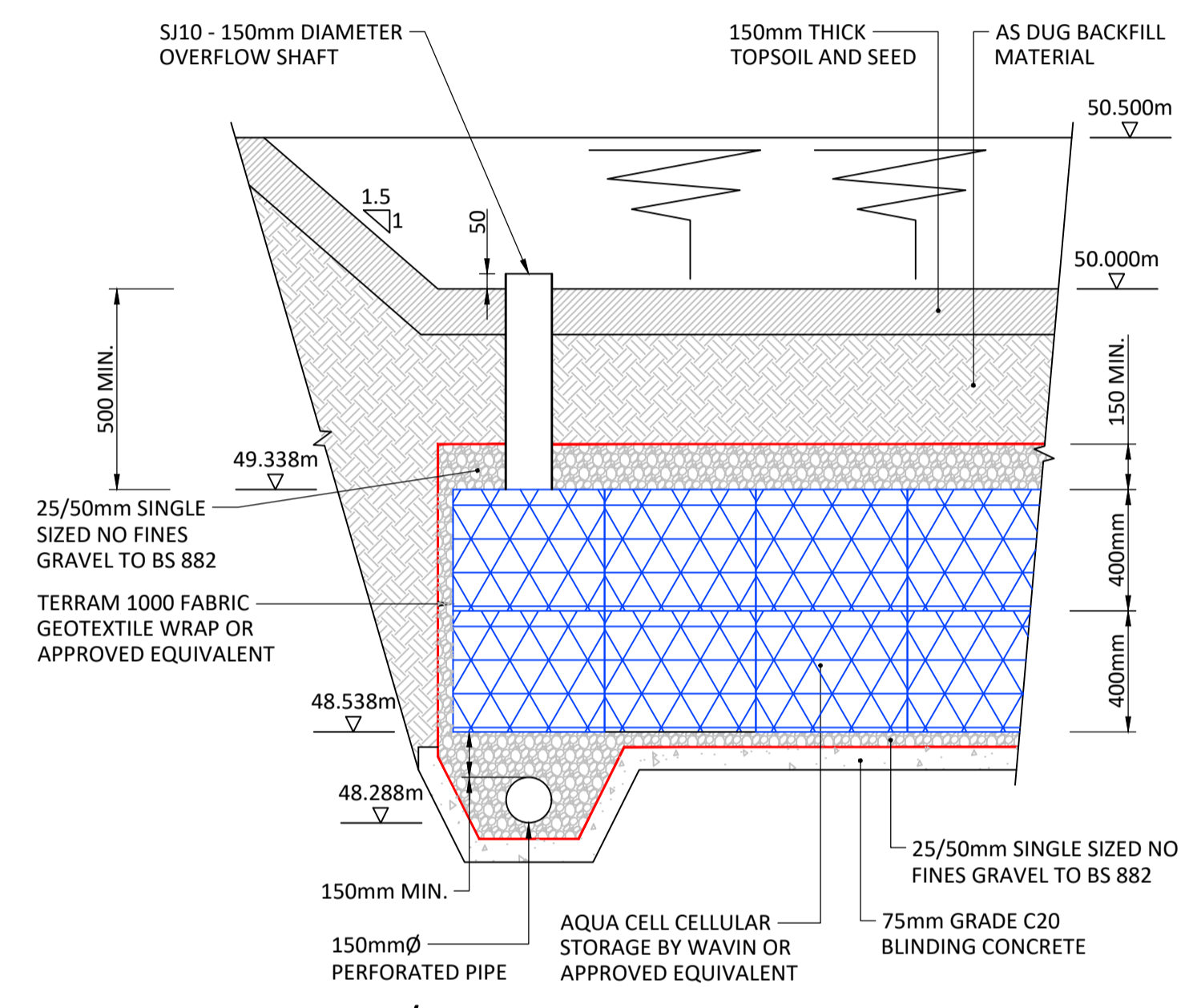
**RAIN GARDEN PLAN DETAIL**  
1:20



**SECTION A-A RAIN GARDEN WITH OVERFLOW GULLY**  
1:20





**TYPICAL SECTION THROUGH S201/S102 CELLULAR STORAGE STRUCTURES**  
1:20



**DETENTION BASIN/CELLULAR STORAGE STRUCTURE DETAIL**  
1:20

- NOTE**
- DO NOT SCALE FROM THIS DRAWING. WORK FROM FIGURED DIMENSIONS ONLY. ALL DIMENSIONS ARE IN METRES AND ALL LEVELS ARE IN METRES ABOVE ORDNANCE DATUM U.N.O.
  - NO DEVIATION FROM THE DETAILS SHOWN ON THIS DRAWING WILL BE ALLOWED WITHOUT THE PRIOR PERMISSION IN WRITING.
  - THIS DRAWING IS TO BE READ IN CONJUNCTION WITH ALL RELEVANT ARCHITECTS, ENGINEERS AND SPECIALIST DRAWINGS AND SPECIFICATIONS.
  - ALL DRAINAGE WORKS ARE TO BE CARRIED OUT IN ACCORDANCE WITH SEWERS FOR ADOPTION 7th EDITION, THE BUILDING REGULATIONS AND GWYNEDD COUNTY COUNCIL'S STANDARD REQUIREMENTS.
  - FOR DRAINAGE SCHEDULES AND SPECIFICATION REFER TO DRAWING NUMBER 5318-CAU-XX-XX-DR-C-7600.

P01		SAB PRE-APP SUBMISSION		EB	NWO	-	01/03/24
REV	MODIFICATIONS			BY	RE	AP	DATE
PURPOSE OF ISSUE							STATUS
DRAFT							SO
CLIENT:							
							
PROJECT:							
<b>FORMER YSGOL BABANOD COED MAWR BRON Y DE BANGOR</b>							
TITLE:							
<b>DRAINAGE CONSTRUCTION DETAILS SHEET 3</b>							
DRAWN BY	REVIEWED BY	AUTHORISED BY	SCALE @ A1				
EB	NWO		AS SHOWN				
DATE	27/02/24	JOB REF:	5318	REVISION	P01		
DRAWING NUMBER							
5318-CAU-XX-XX-DR-C-5602							
							
<small>engineering environmental planning</small>							
<small>WWW.CAULMERT.COM</small>							

© COPYRIGHT CAULMERT LIMITED - NOT TO BE COPIED OR REPRODUCED IN ANY WAY OR FORM WITHOUT PRIOR WRITTEN CONSENT FROM CAULMERT LIMITED

Registered Office: Parc Menall, Bangor, Gwynedd, LL57 4FG Company Registered No: 06716319